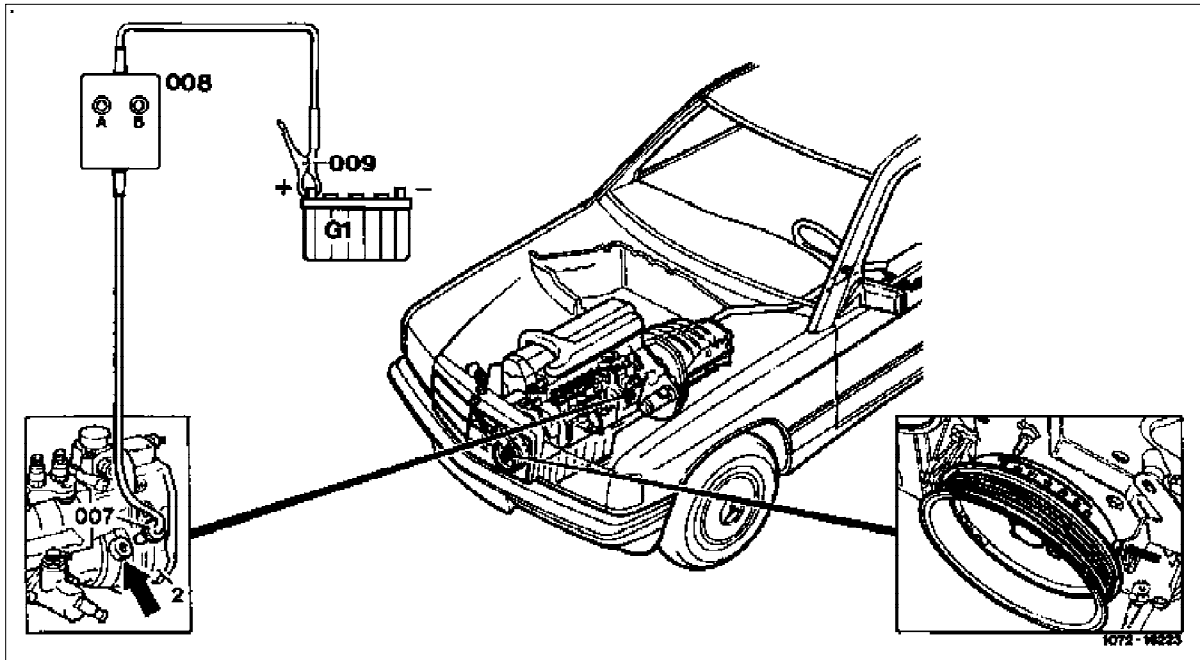


07.1-111 Checking start of delivery (position sensor RIV method)



- | | |
|--|---|
| Screw plug (arrow) at governor housing (2) _____ | unscrew, |
| Position sensor (007) _____ | tightening torque 30-35 Nm (reference value).
turn in. |
| Battery crocodile clamp (009) _____ | connect to battery +. |
| Manually turn crankshaft until _____ | lamps A and B of the indicating instrument (008)
light up simultaneously. |
| Read RI value (indirect start of delivery) _____ | of the graduated scale,
set value $15^{\circ} + 1^{\circ}$ ATDC.
Vehicles with code 62/0 $14^{\circ} + 0.5^{\circ}$ ATDC. |

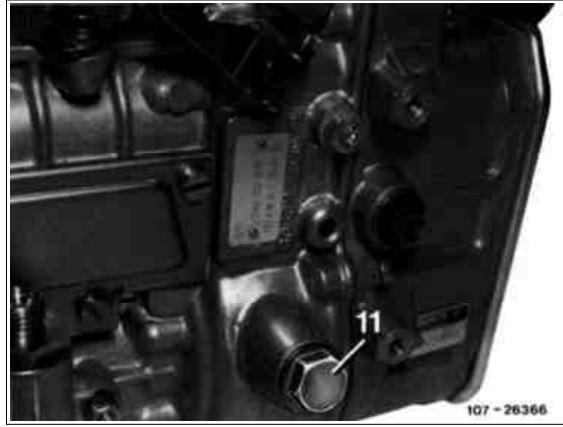
Adjust start of delivery if required (07.1-116).

Special tools



Checking

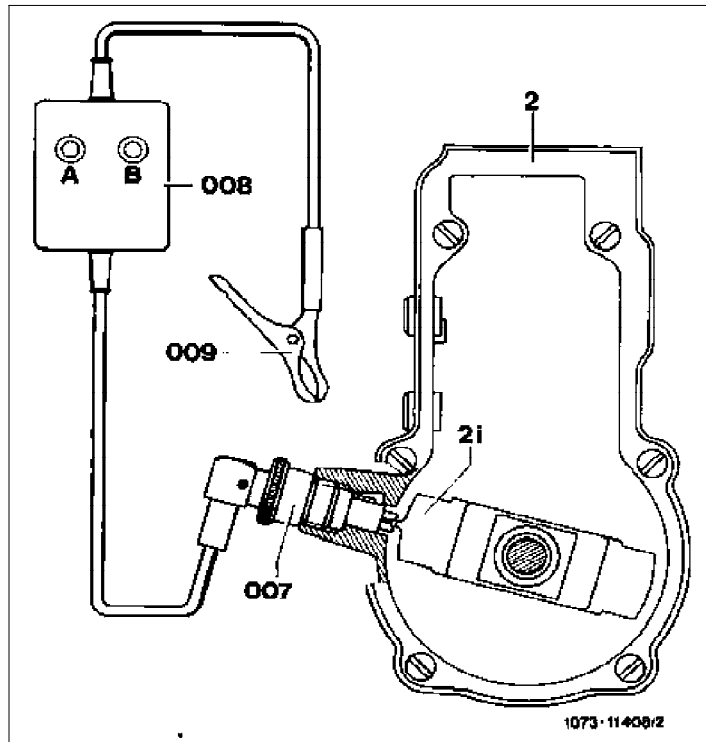
- 1 Remove screw plug (11) on governor housing.



- 2 Turn position sensor into the governor housing. Ensure that the guide pin of the position sensor (arrow) faces up. Tighten union nut by hand.



- 3 Connect position sensor according to connection diagram.



4 Use tool to turn crankshaft manually (only in direction of rotation) until lamp "A" lights up. Continue to turn until **both lamps "A + B"** light up. In this position read RI value (indirect start of delivery) off graduated scale.

RI set value: $15^{\circ} + 1^{\circ}$ ATDC.

Vehicles with code 62/0 $14^{\circ} + 0.5^{\circ}$ ATDC.

If only lamp "B" lights up, repeat test.



5 Remove position sensor.

6 Turn screw plug into governor housing (tightening torque 30-35 Nm).

7 Carry out leak test with engine running.

8 Check engine oil level and correct if required.